

WHAT, EXACTLY, IS A HUMAN BEING?

Analog, Digital, and Transcendental

by Sky Shields

An actual review of the development of the human species—in particular, the radical steps forward taken during the period of Franklin Roosevelt’s recovery—provides us with a unique angle from which to approach the disease represented by the modern “post-human” hoaxes being pushed today. Rather than twirl ‘round and ‘round, attempting to parry every sophistry in the arguments underlying the cybernetics fraud, we ought to ask ourselves the obvious question: What, exactly, is a human being?

The reductionist’s argument on this point hangs on a single sophistry, which is the same sophistry he wields when asked the question, “What is life?” He proceeds to examine

The reason your laptop doesn’t have any brains.

everything about the human being which is *not* characteristically human, and then he concludes from that that the human being is, in fact, simply a rather sophisticated animal.

The silly reduction of the uniqueness of the human species to physiological differences, such as cranial capacity, posture, physiology of the throat, or an opposable thumb, is an intentional evasion of the issue. It is no less silly than trying to define life from the standpoint of organic chemistry or molecular biology: The reductionist reduces the living organism to its non-living parts, before asking what makes it alive. This is akin to attempting to understand the idea underlying a great poem by analyzing the letters used and how they interact with one another. At this point in the dissection, the idea under consideration ceases to exist.

As we will see below, there *is* an infinitesimal—a unit build-



Brian McAndrews

Visitors at the Franklin Institute in Philadelphia observe a 19th Century orrery, a three-dimensional mechanical model of the Solar System showing the planets as they revolve around the Sun against the background of fixed stars.

ing block—in language, but these are not the letters, any more than the fundamental elements of a living process are its atoms, at least not atoms as they are currently understood. Similarly, once you reduce the analysis of human activity to its animal functions, it is no longer possible to discuss what a human being actually *is* at all.

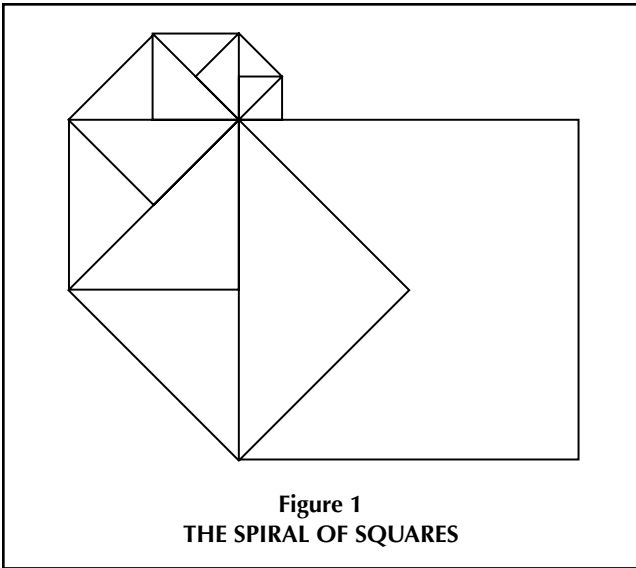


Figure 1
THE SPIRAL OF SQUARES

With that in mind, we will take the opposite approach, and view the human being as any great composition ought properly to be considered: as a coherent whole. Taking our cue from Plato in his *Republic*, we will examine the human individual as *one which takes part in the organization of human economy*.

Human economy, the progress of the development of the human species on the planet, is characterized by rapid and sudden upshifts in the rate of growth of the human population. These sudden upshifts correspond to periods of social reorganization, premised upon scientific and technological progress, such as the 15th Century Italian Renaissance, for example. If the periods between these singular moments are recognized as “units” of human development, it can be seen that this type of constant, anti-entropic development of the human species depends entirely on the discovery and social implementation of new scientific and cultural ideas. That is, this type of characteristic growth, not seen in other species outside of objective changes in their environment, or physiological evolution, depends entirely on the creative powers of the human individual, expressed in the areas of both physical science and classical artistic culture.

Exemplary of this characteristic of the human mind, is its ability to discover, and wield, new transcendental conceptions; conceptions which are defined solely by the fact that they transcend entirely—infinately—the logical systems which preceded them. The model for this transcendental

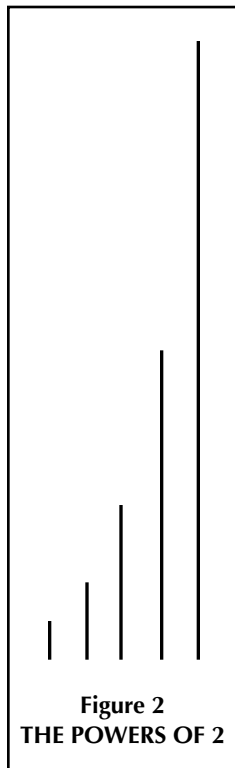


Figure 2
THE POWERS OF 2

relationship is found in Nicholas of Cusa’s quadrature of the circle.

A later transcendental relationship, discovered by Gottfried Leibniz, provides us with a unique window into the methods used during Franklin Roosevelt’s return to the principles of the American revolution, and an insight into the methods by which such transcendental notions are incorporated into the development of human economy—in particular the work of American scientist Vannevar Bush—in extending the cognitive capabilities of mankind as a whole. The exponential curve, or its inverse, the logarithmic curve, is the curve constructed on the basis of constant, continuous, self-similar growth. Its familiar expression is found in the form of Leibniz collaborator Johann Bernoulli’s *Spiral Mirabilis*, or logarithmic spiral. In the logarithmic spiral, equal, arithmetic angular divisions thus correspond to radial lengths increasing in geometric progression (Figure 1). The same thing can be expressed along a horizontal line, by simply producing a series of lines in geometric progression, spaced at equal intervals. In this case, the progression is $1:2 :: 2:4 :: 4:8 :: 8:16 \dots$ (Figure 2).

Obviously, in neither of these cases is the progression actually a continuous curve. The question becomes: What continuous curve has this property of self-similar growth over every interval, and not merely at discrete steps? Let’s begin by looking at any line connecting two discrete points on the curve, such as the ones we have just drawn (Figure 3):

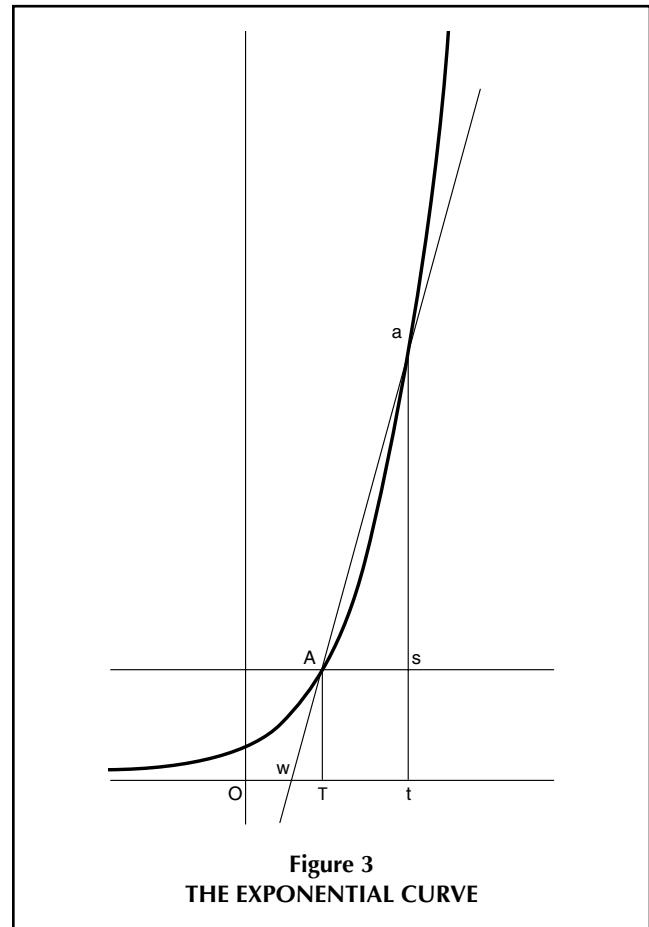
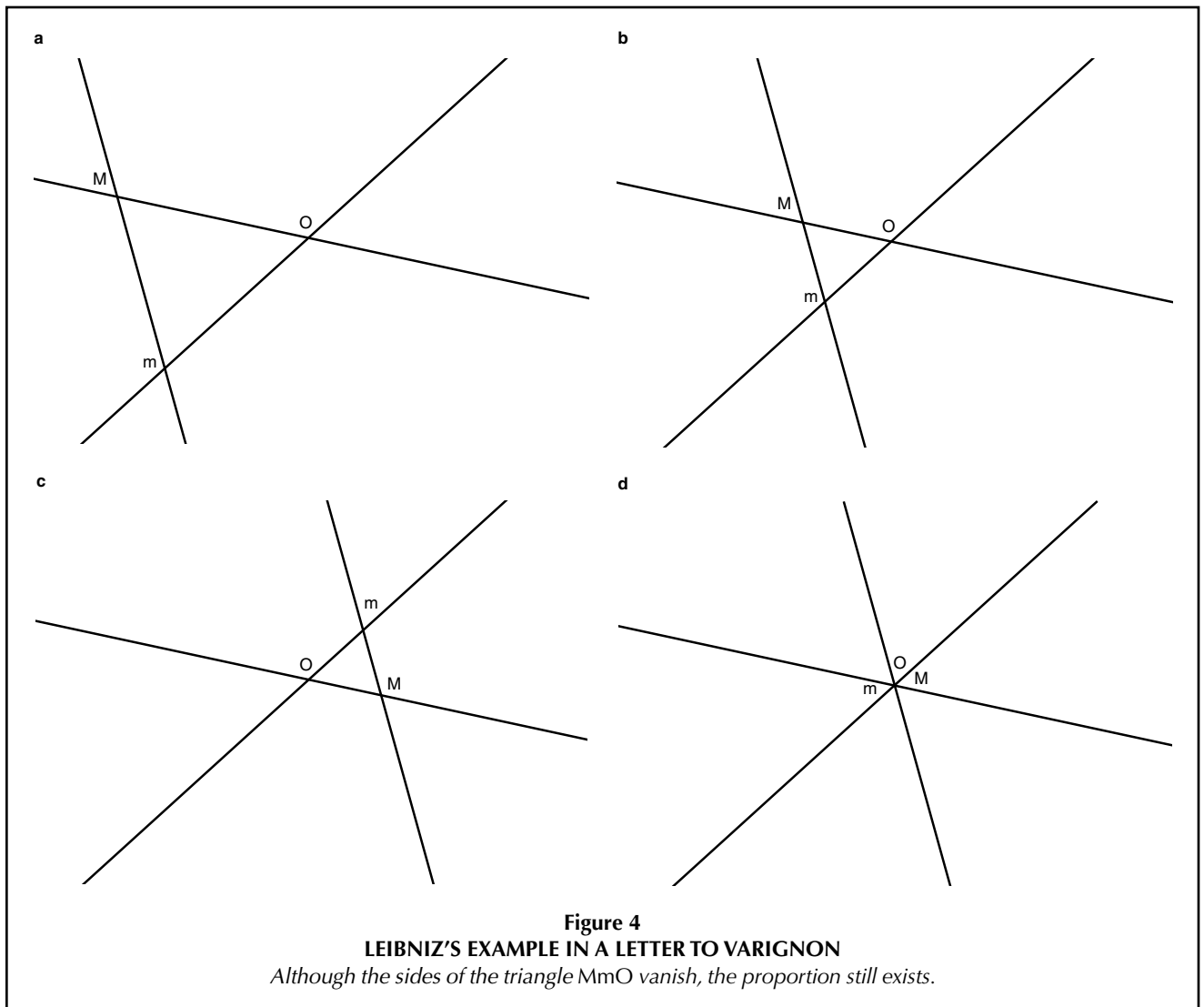


Figure 3
THE EXPONENTIAL CURVE



Here, the triangle aAs is similar to the triangle AWT , having the same angles. That is, we have the proportion:

$$as : As :: AT : WT$$

Or, letting $WT = k$, $OT = x$, $AT = y$, $As = Tt = dx$, and $as = dy$:

$$dy : dx :: y : k$$

If the points A and a on the curve are adjacent, that is, if there is no distance between them, the line AW will be the tangent to the exponential curve at the point A . Also, since this curve was constructed using powers of 2, if $OT = x$, $AT = y$ will be $= 2^{x+dx}$. Also, if $Tt = dx$, at will be $= 2^{x+dx}$. Therefore, our ratio becomes

$$(2^{x+dx} - 2^x) : dx :: 2^x : k$$

or, which is the same

$$2^x(2^{dx} - 1) : dx :: 2^x : k$$

or

$$y(2^{dx} - 1) : dx :: y : k$$

or

$$(2^{dx} - 1) : dx :: 1 : k$$

That is, if dx is taken as constant everywhere on the curve, the distance k will be a constant.¹

"But," you might object, "if the points are adjacent, both the ratios $\frac{dy}{dx}$ and $\frac{dx}{2^{dx}-1}$ are equal to $\frac{0}{0}$." But remember! This

is simply an empiricist's object fixation. For the empiricist, as soon as all of the objects disappear, what is left must be equal to 0. But for the human being, who "is not of the flesh, but rather of the spirit," and for whom objects are simply the shadows of principle, it is only after all of the objects disappear that we can see what that truth actually was which lay behind them all the

1. This constant will be

$$k = \frac{dx}{2^{dx} - 1}$$

while. The example Leibniz used in a letter to his friend Pierre Varignon, in defense of this idea, was to imagine the triangle MmO , in the image in Figure 4.

There is a constant proportion between the sides of the triangle, even as it becomes smaller and smaller, and regardless of which side of the fixed point O the triangle is located on. But what happens at the moment the triangle is passing from one side to the other? At that moment the sides become smaller than anything imaginable, but nothing has changed about the angles to destroy the proportion. Therefore, the sides have vanished, but the *proportion* still exists!

Put in somewhat simpler terms: If you have a sleeping dog, and the dog vanishes, you will no longer have a sleeping dog. If you have a running dog, and the dog vanishes, you no longer have a running dog. In neither case will you be left with “a running” or “a sleeping” for a pet. This does not mean, however, that there is no difference between a sleeping dog, a running dog, and a dog. But where, then, is the difference located? What do a running dog, a running gazelle, and a running emu have in common? If the noun vanishes, where is the verb? With respect to the noun, the verb is $= 0$. However, no sane person would argue that verbs do not exist.

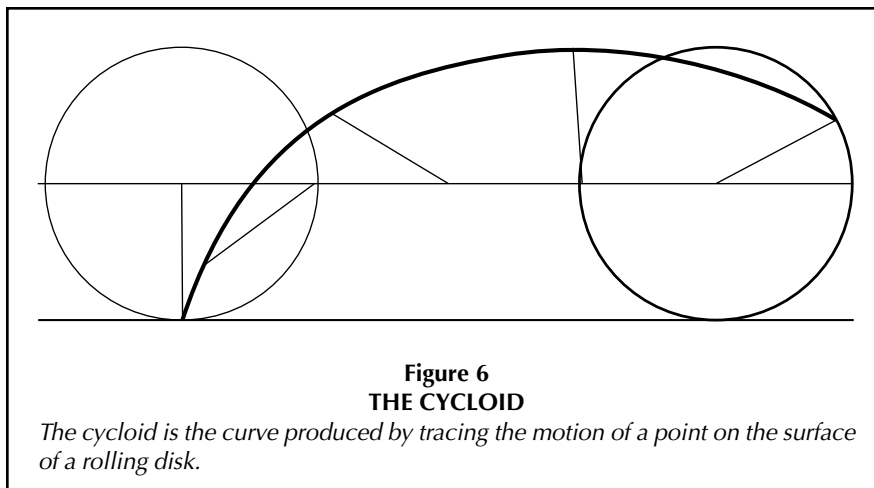
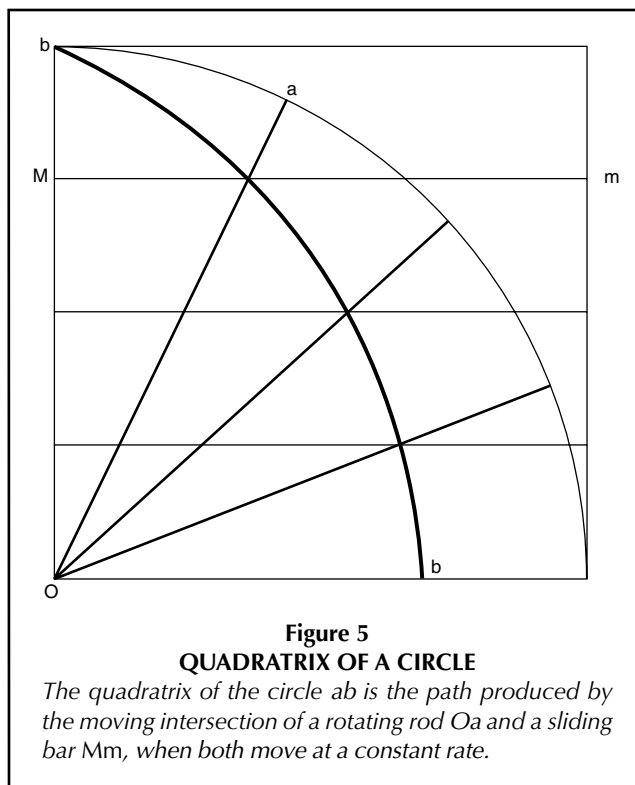
If you keep this in mind, you’ll easily find that the ratio given for k is exactly equal to the ratio of the height and base of the triangle where x is equal to zero.

Speaking of Verbs

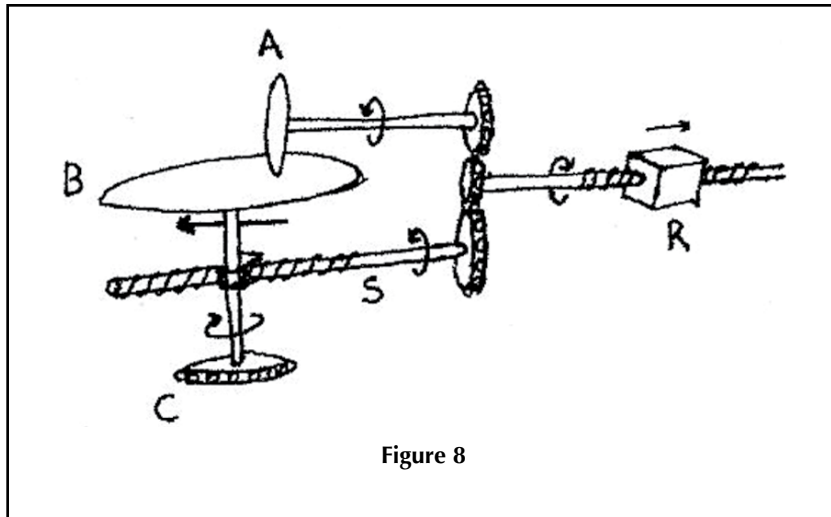
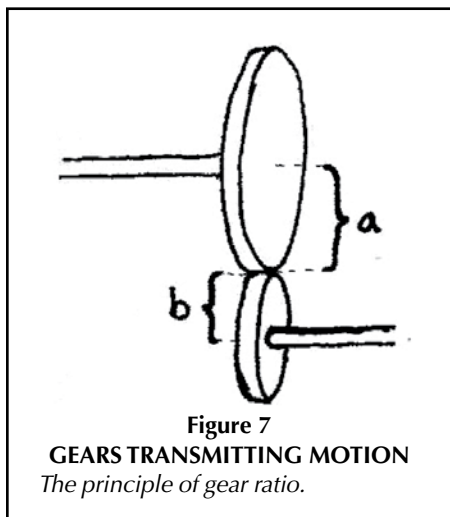
When Descartes banned transcendental geometric relationships from his mathematics, as something it could not comprehend, what he actually said was that “mechanical” curves would not be included. By “mechanical,” he meant the various types of transcendental relationships investigated by the Greeks, which were embodied in physical, mechanical constructions, and which transcended the simple algebraic expression to which he, like a digital computer, was limited. These included the quadratrices of the various conic sections, the cycloid, and the catenary.

Calling these transcendental curves mechanical makes a significant point, whose significance was lost on Descartes himself; the construction of these curves constituted the first occurrence of what later came to be referred to as an “analog computer,” a reflection of one of the fundamental principles of human economic progress.

The principle involved here is one referred to often by economist Lyndon LaRouche as the “machine tool” principle. That is, we have taken an essential, experimentally determined property of this type of constant, self-similar, geometric growth, and embodied it (incorporated it) whole, in a man-made, physical process.



The principle already existed, in principle, as part of the shape of physical space-time. It is necessary, however, to reorganize the shape of Man’s interface with that physical space-time—the physical economy—to reflect that discovered form. The point of intersection of these two physical geometries—that of physical space-time, and that of the physical economy—is the machine tool sector, where the possibility of implementation of a given discovered, physical principle, in a whole array of technology is realized. Because the method of generating this type of implementation is by creating “analogous” processes in the physical economy, such that they reflect the underlying, invisible structure of physical space-time, such a method is called “analog.”



This method is the characteristic form of human creative activity, and the basis for all human economic progress.

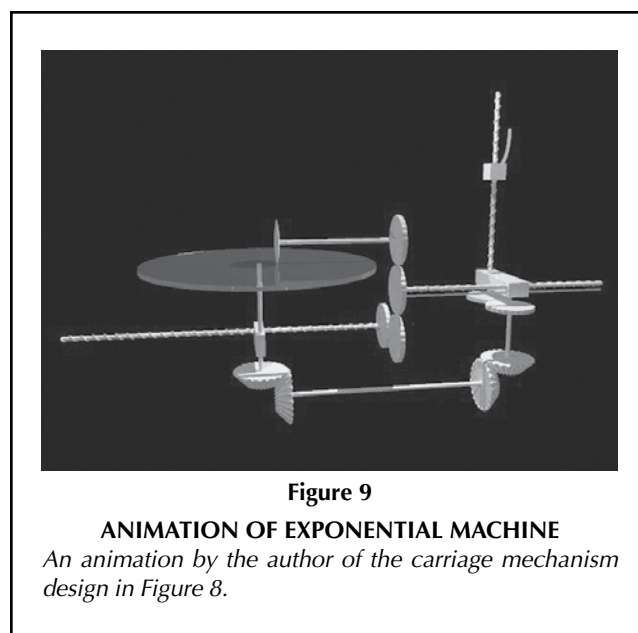
As chairman of the President's National Defense Research Committee, and later director of the Office of Scientific Research and Development during the economic explosion generated by President Franklin Delano Roosevelt's reforms, Dr. Vannevar Bush gained firsthand experience with this principle. His role in the 1930s fight against fascism—and its subsequent subversion by the twin revival of the menace of the Austro-Hungarian Empire, Norbert Wiener, and John von Neumann—has been documented elsewhere.² Here, we will apply his method to a consideration of the exponential curve.

Picture two gears, transmitting motion from one to the other. If the ratio of the two radii is a to b , then b rotations of gear A will correspond to a rotations of gear B . This means also that a tiny rotational change in gear A —call it dA —will have the same ratio to tiny change, dB , in B , which will be the same as a to b . This ratio of rates of change $\frac{b}{a}$, is called the "gear ratio" of the two gears.

Therefore if, as in the device pictured, the two gears A and B can move relative to each other, their gear ratio is variable. If we let gear $A = y$, and gear $B = x$, that variable gear ratio will be equal to the ratio dy/dx . If that variable gear ratio is governed by the motion of the gear y , transferred by means of a screw threading, S , our variable gear ratio becomes equal to the horizontal displacement of that screw threading, which will be equal to the rotation y . If the rotation at C of x is maintained constant, we will have the relationship $\frac{dy}{dx} = y$, expressed by our exponential curve above.³

2. See the accompanying articles by Creighton Cody Jones, "How Wiener Attempted to Kill Science: Only Diseased Minds Believe in Entropy," and Peter Martinson, "Where Your Computers Really Came From."

3. The reader will recognize that this will actually give us a special case of the exponential curve where the constant, k , is equal to 1. That is, instead of 2^x , we will have a curve e^x , where e will be a special number to be discussed later (see Appendix).

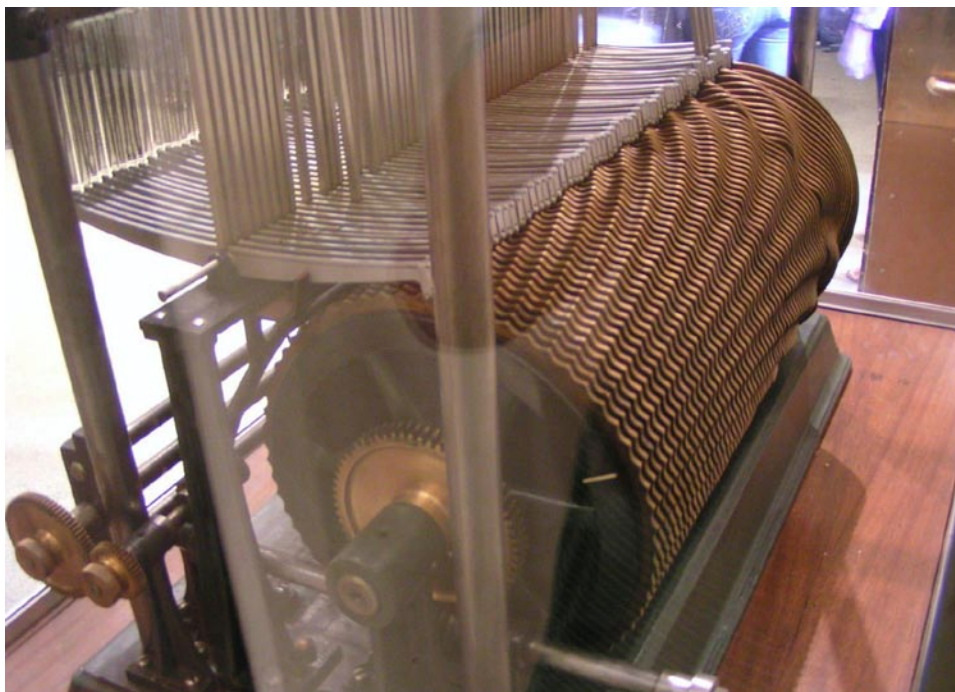


If now that same motion y is transmitted to a carriage, R , by means of another screw threading, and the same constant motion, x , which drives the gear B at C is attached to another carriage, riding on the carriage R , but moving vertically, we will obtain the curve produced by the horizontal motion y , and vertical motion x , such that $\frac{dy}{dx} = y$. That is to say, we will

have our desired exponential curve, for the case where the distance k is equal to 1. The reader is left to devise means to determine the remaining cases.

Squaring the Circle, Again (And Again and Again and Again . . .)

So now, what relationship, if any, does a digital computer have to that process? To begin with, we'll have to figure out how to communicate that type of transcendental relationship to a



Brian McAndrews

This Harmonic Integrator, on display at the Franklin Institute in Philadelphia, was built around 1900 to show how waves interact. It is a single purpose analog computer. Its brass disks have waves cut in them ranging from 64 peaks and valleys to just one peak and one valley. These disks can be connected to the pen in the front, to move it up and down. Rods and pulleys at the top allow the operator to choose which disks are connected to the pen. Then the operator turns a crank to rotate the disks to move the pen, while simultaneously shifting the paper from left to right. This produces a wave pattern on the paper.

digital computer, in terms of the basic logical operations of addition and subtraction which it is capable of understanding. If it is desired to draw the curve itself, we must figure out how to translate the process given above into the types of algebraic relationships our poor digital computer can comprehend.

Since it is not possible to discuss any actually continuous process with our computer, we will have to talk to it in terms of points. We know that our curve $y = e^x$ is equal to 1 at the point where $x = 0$.⁴ The simplest algebraic equation with this property is

$$y = 1$$

but, since we also know that

$$\frac{dy}{dx} = y$$

and thus dy/dx is *also* equal to 1 at the point $x = 0$, we have to pick a more complicated algebraic equation

$$y = 1 + x$$

which is still equal to 1 where $x = 0$, but for which dy/dx is *also* always equal to 1. *However*, since, again, $dy/dx = y$, we have to find a curve for which

$$\frac{dy}{dx} = 1 + x, \text{ or}$$

$$y = 1 + x + \frac{x^2}{2}$$

Hopefully, you can already see that the process of trying to fit this round peg into a square whole will continue forever, giving us

$$y = 1 + x + \frac{x^2}{2} + \frac{x^3}{2 \cdot 3} + \frac{x^4}{2 \cdot 3 \cdot 4} + \frac{x^5}{\dots} + \dots$$

2·3·4·5

which will never become equal to e^x , although, if you have something dumb enough but fast enough—like a digital computer—it will eventually produce something that bears the same relationship to our curve as the multisided polygon bears to the circle.⁵

So then, is it possible that the type of transcendental activity expressed by the human mind—and which drives the anti-entropic growth of a human economy—could ever be replicated by a digital process? After all, it could be argued that a many-sided polygon really *does* make a passably good circle, doesn't it?

The sophistry here, is that without having a circle to begin with, there would be nothing for the many-sided polygon to imitate in the first place! The circle is an elementary unit—a monad in the sense of Leibniz. It is generated as a *single idea*, by a single simple process of circular action. In that sense it, like the human personality, has no parts. It is a one—a whole.

Therefore, from the standpoint of the polygon, the circle is *actually* infinitely far away. This type of transcendental relationship is the same as that which holds between human activity, and that lower behavior of the animals. It is also the same sort of infinite gap which lies between the living and the non-living. The human individual must be regarded as a single, living, cognitive whole, and not merely as the "sum of his parts" because, in reality, he has none.

Sky Shields is a leader of the LaRouche Youth Movement in Los Angeles

4. See Appendix.

5. This process is often inappropriately called the Taylor expansion, though it was earlier discovered by both Gottfried Leibniz and Johann Bernoulli.

Appendix: The Properties of Curve e^x

More can be said about the properties of our curve e^x . As was said before, the value of our number e is given by

$$\frac{dx}{e^{dx}-1} = 1 \text{ or } e = (dx + 1)^{\frac{1}{dx}}$$

which contains an apparent absurdity; which is that, as dx becomes smaller and smaller, $1/dx$ becomes larger and larger. At the point that the distance dx becomes = 0, we obtain

$$e = (0 + 1)^\infty.$$

which again makes no sense, because then we would have the curve $y = 1^x$, which isn't a curve at all, but rather is simply equal to the number 1. But, this can't be the actual value for e because, as we saw above, it is possible to draw a curve e^x with the property $y = \frac{dy}{dx}$, which means a number e must exist having the

property
$$e = (dx + 1)^{\frac{1}{dx}}$$

So, let us call the infinitely large quantity $1/dx$ simply m , giving us

$$e = \left(1 + \frac{1}{m}\right)^m$$

Now, from Pascal's triangle (*much* more can, and will be said elsewhere on this and the Pythagoreans, and so on), we know that the rows

1		$(x+y)^0$
1 1		$(x+y)^1$
1 2 1		$(x+y)^2$
1 3 3 1		$(x+y)^3$
1 4 6 4 1	give us the coefficients for	$(x+y)^4$
1 5 10 10 5 1		$(x+y)^5$
1 6 15 20 15 6 1		$(x+y)^6$

and in general, the coefficients for any $(x + y)^n$ are

$$1, n, \frac{n(n-1)}{1 \cdot 2}, \frac{n(n-1)(n-2)}{1 \cdot 2 \cdot 3}, \frac{n(n-1)(n-2)(n-3)}{1 \cdot 2 \cdot 3 \cdot 4}, \dots$$

That is, $(x + y)^n =$

$$1 \cdot x^n + n \cdot x^{n-1} \cdot y + \frac{n(n-1)}{1 \cdot 2} \cdot x^{n-2} \cdot y^2 + \frac{n(n-1)(n-2)}{1 \cdot 2 \cdot 3} \cdot x^{n-3} \cdot y^3 + \frac{n(n-1)(n-2)(n-3)}{1 \cdot 2 \cdot 3 \cdot 4} \cdot x^{n-4} \cdot y^4 + \dots$$

So, instead of $\left(1 + \frac{1}{m}\right)^m$, we can write

$$1 \cdot 1^m + m \cdot 1^{m-1} \cdot \frac{1}{m} + \frac{m(m-1)}{1 \cdot 2} \cdot 1^{m-2} \cdot \left(\frac{1}{m}\right)^2 + \frac{m(m-1)(m-2)}{1 \cdot 2 \cdot 3} \cdot 1^{m-3} \cdot \left(\frac{1}{m}\right)^3 + \frac{m(m-1)(m-2)(m-3)}{1 \cdot 2 \cdot 3 \cdot 4} \cdot 1^{m-4} \cdot \left(\frac{1}{m}\right)^4 + \dots$$

or

$$1 + m \cdot \frac{1}{m} + \frac{m^2-m}{1 \cdot 2} \cdot \frac{1}{m^2} + \frac{m^3-3m^2+2m}{1 \cdot 2 \cdot 3} \cdot \frac{1}{m^3} + \frac{m^4-6m^3+11m^2-6m}{1 \cdot 2 \cdot 3 \cdot 4} \cdot \frac{1}{m^4} + \dots$$

which is equal to

$$1 + 1 + \frac{1}{1 \cdot 2} - \frac{1}{2m} + \frac{1}{1 \cdot 2 \cdot 3} - \frac{1}{2m} + \frac{1}{m^2} + \frac{1}{1 \cdot 2 \cdot 3 \cdot 4} - \frac{1}{4m} + \frac{11}{24m^2} - \frac{1}{m^3} + \dots$$

where the terms $\frac{1}{2m}, -\frac{1}{2m}, \frac{1}{m^2}, \frac{1}{4m}, \frac{11}{24m^2}, -\frac{1}{m^3}$, etc.,

containing m in the denominator, become = 0 when m becomes infinitely large. Therefore we have

$$1 + 1 + \frac{1}{1 \cdot 2} - \frac{1}{1 \cdot 2 \cdot 3} + \frac{1}{1 \cdot 2 \cdot 3 \cdot 4} + \dots$$

which gives us an approximation which allows us to come as close to our number e as we like, without ever actually reaching it. Such an approximation has many useful applications, one of which being that, while the series above is *not* the actual number e , we have generated an approximation which only involves the operations of addition, subtraction, multiplication, and division of which our digital computer is capable.



© Lucas Deming/Brooks Institute of Photography, 2006

The author addressing an "Atoms for Peace" seminar conducted by the LYM in South Pasadena, California.